

Energy Storage System (ESS) for residential applications -

STORION SERIES SMILE5



✓ Key Features

- S**elf sufficient
- M**odular battery
- I**ntelligent control
- L**ong lifespan
- E**ssential load protected
- 5** kW system



Fast response



Light load threshold



UPS ability

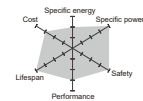


24/7 Monitoring



Real-time Monitoring

All systems can be monitored by **Web and iOS/Android APP**.



Safest Chemistry

AlphaESS uses Li-phosphate for its excellent safety and long lifespan.



product
design award 2018



reddot design award 2018



About AlphaESS

As one of the earliest pioneers in energy storage market with lithium iron technology, AlphaESS has a vision to pave the path for everyone in the world to enjoy clean energy one day.

AlphaESS is a multinational company that currently has more than 10'000 residential and commercial systems running in 30 countries globally and its products are accredited by IEC, TÜV, CEC and many other international standards.

All AlphaESS energy systems are integrated with smart energy management solutions. AlphaESS is committed to revolutionize the future energy network through our patented German technologies.



Official Website



Scan to download
APP (iOS/Android)



Twitter



FaceBook

System Specification	
Model	Storion-SMILE5
Nominal Output Power	5000 W / 4600 W (DE)
Capacity Range	2.9 ~ 34.4 kWh (96% DoD)
Usable Capacity Range	2.8 ~ 33.0 kWh
Battery Chemistry	LFP (LiFePO4)
IP Protection	IP21 (Indoor) / IP65 (Outdoor)
Warranty	5 Year Product Warranty, 10 Year Battery Warranty

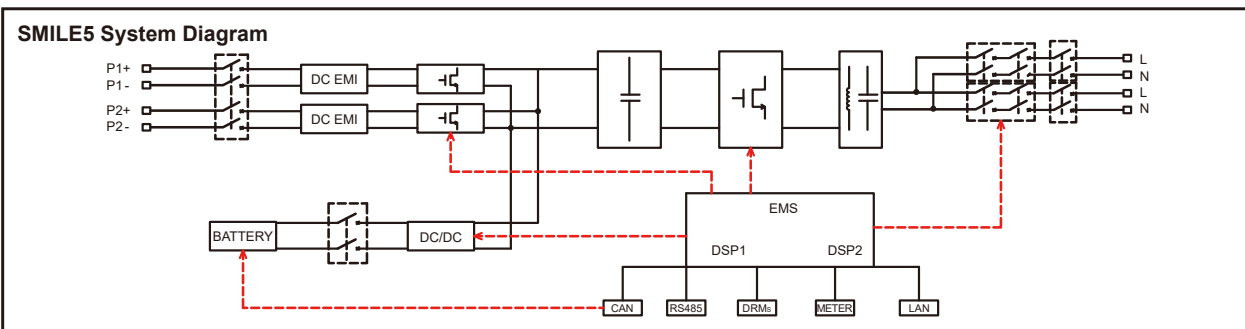
Inverter Technical Specification			
Model	SMILE5-INV	Phase	Single-Phase
Max. PV Input Current	2 x 12 A	Backup	UPS
Max. PV Input Voltage	580 V	Display	LCD
MPPT Number	2	Communication	Ethernet
MPPT Voltage Range	125 ~ 550 V	Start Up DC Voltage	125 V
Max. PV Short-circuit Current	2 x 15 A	Humidity	15% ~ 85% (No Condensing)
Max. Charging/Discharging Current	100 A	Dimensions (W x D x H)	610 x 236 x 615 mm
Max. Charging/Discharging Power	5000 W	Weight	60 kg
Rated Voltage	230V	Grid Regulation	VDE-AR-N 4105, VDE 0126-1-1, AS 4777.2/3, CEI 0-21: 2014, G59/3, RD 1699, NRS 097-2-1
Grid Voltage Range	180 ~ 270 V	Safety	IEC 62109-1&2, IEC 62477-1, IEC 62040.1.1, IEC 62116
Rated Frequency	50/60 Hz	EMC	EN 61000-6-1, EN 61000-6-2, EN 61000-6-3, EN 61000-6-4

Battery Technical Specification		
Module Model	SMILE5-BAT	M4856-P
Module Capacity	5.7 kWh	2.9 kWh
Module Nominal Voltage	51.2 V	
Operating Temperature Range	-10 °C ~ 50 °C*, 0 °C ~ 40 °C (0.5C)	-10 °C ~ 50 °C*, 0 °C ~ 40 °C (1C)
Max. Modules in Parallel	6	
Max. Charging/Discharging Current	56 A (0.5C)	56 A (1C)
Cycle Life	10 000**	

* When the temperature is below 0 °C or above 40 °C, the performance will be limited.
 ** Under specific test conditions



V02.03042019 | Text and images correspond to the current state of technology at the time of printing. Subject to modifications. All information is without guarantee in spite of careful editing - liability excluded.



Headquarter: Alpha ESS Co., Ltd.

+86 (0) 513 806 068 91

info@alpha-ess.com

www.alpha-ess.com

Jiuhua Road 888, Nantong High-Tech Industrial Development Zone, Nantong City, 226300

Germany: Alpha ESS Europe GmbH

+49 (0) 6103 / 459 160-1

europe@alpha-ess.de

www.alpha-ess.de

Paul-Ehrlich-Straße 1a, 63225 Langen, Hessen

Australia: Alpha ESS Australia Pty. Ltd.

+61 (0) 402 500 520 (Sales)

+61 1300 968 933 (Technical Support)

australia@alpha-ess.com

www.alpha-ess.com.au

Suite 1, Level 1, 530 Botany Road, Alexandria, NSW, 2015

Italy: Alpha ESS Italy S.r.l.

+39 (0) 599 239 50

info@alpha-ess.it

www.alpha-ess.it

Via Loda, 17-41013 Castelfranco Emilia (MO)